



DESIGN and CONSTRUCTION STANDARDS

Gravity Grease Interceptors, Hydromechanical Grease Interceptors, and Oil Liquid Interceptors

I. GENERAL

District authority related to installation, inspection, and operations and maintenance of gravity grease interceptors, hydromechanical grease interceptors, and oil liquid interceptor is granted under Section 2.08.4 of the T.U.D. Wastewater Ordinance.

Applicant shall submit to the District (3) copies of product submittals, sizing calculations, and construction plans for review and approval.

Submittals should be sent to:

Tuolumne Utilities District
Attn: Antonio Ramirez
18885 Nugget Blvd.
Sonora, CA. 95370

II. DESIGN

- A. Applicable Codes: California Plumbing Code (most recent edition)
- B. Design Standards:
 - Gravity Grease Interceptor – Listed by IAMPO Certified by PDI
 - Hydromechanical Grease Interceptor -Listed by IAMPO Certified by PDI
 - Oil Liquid Interceptor Certified by API
- C. Sizing: Per California Plumbing Code (most recent edition)
 - Min. sizes
 - Hydromechanical Grease Interceptor – 20 gpm & 40 lbs. grease retention capacity
 - Gravity Grease Interceptor – 750 gallons
 - Oil Liquid Interceptor – 300 gallons
- D. Sampling Vaults:
 - At the request of the District Engineer, sampling vaults may be required on grease interceptors.
- E. Access Manholes:
 - Interceptors shall have at least two -(2) traffic rated 24" diameter manhole risers for proper maintenance and inspection.
- F. Flow Control:
 - Hydromechanical grease interceptors shall be equipped with flow control devices. The flow control device rating shall not exceed the manufacturers rated capacity in gpm for the grease trap. The flow control device shall be vented in accordance with the California Plumbing Code (most recent

edition). The vent shall terminate not less than six-(6) inches above the flood-rim level or in accordance with the manufacturer's instructions.

- G. Venting: All venting shall be in accordance with the California Plumbing Code (most recent addition)
- H. Alternative Designs: May be approved on a case-by-case basis by the District Engineer. Oil liquid interceptors shall be standard baffle type, coalescing plate separators shall not be permitted without prior approval from the District Engineer.

III. LOCATION

A. Gravity Grease Interceptors:

Shall be installed outside of the kitchen area in a location affording ease of maintenance and servicing. Grease haulers/pumpers shall have access to the interceptor and the manhole covers shall not be located in parking stalls or other locations where access could be obstructed.

No toilets, urinals, and other similar fixtures shall drain through the interceptor.

Dishwashers and food disposal units shall not drain through the interceptor without prior approval of the District Engineer.

B. Hydromechanical Grease Interceptors:

Hydromechanical grease interceptors shall be located as close as practical to the fixtures being served. The interceptor shall be located so that the cover can be easily removed for inspection and maintenance of the unit.

No toilets, urinals, and other similar fixtures shall drain through the interceptor.

Dishwashers and food disposal units shall not drain through the interceptor without prior approval of the District Engineer.

C. Oil Liquid Interceptor:

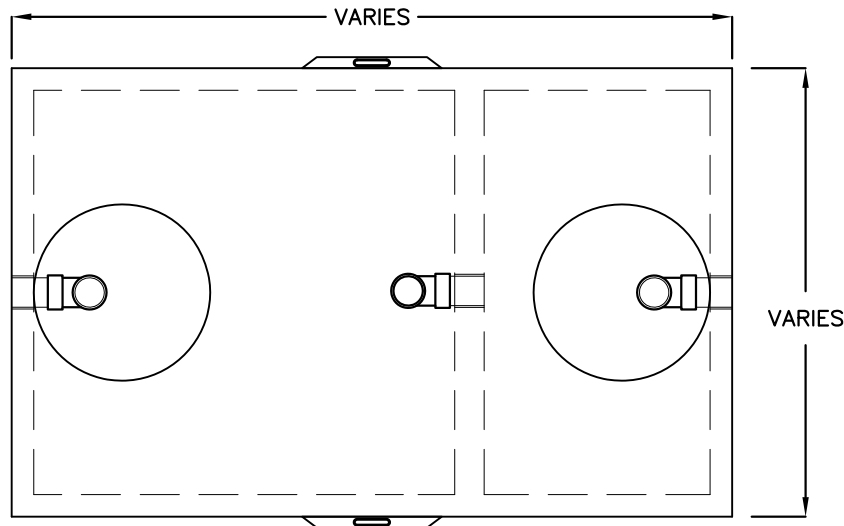
In an open area readily accessible for cleaning and maintenance, located between floor drains and the sewer.

IV. CONSTRUCTION DETAILS

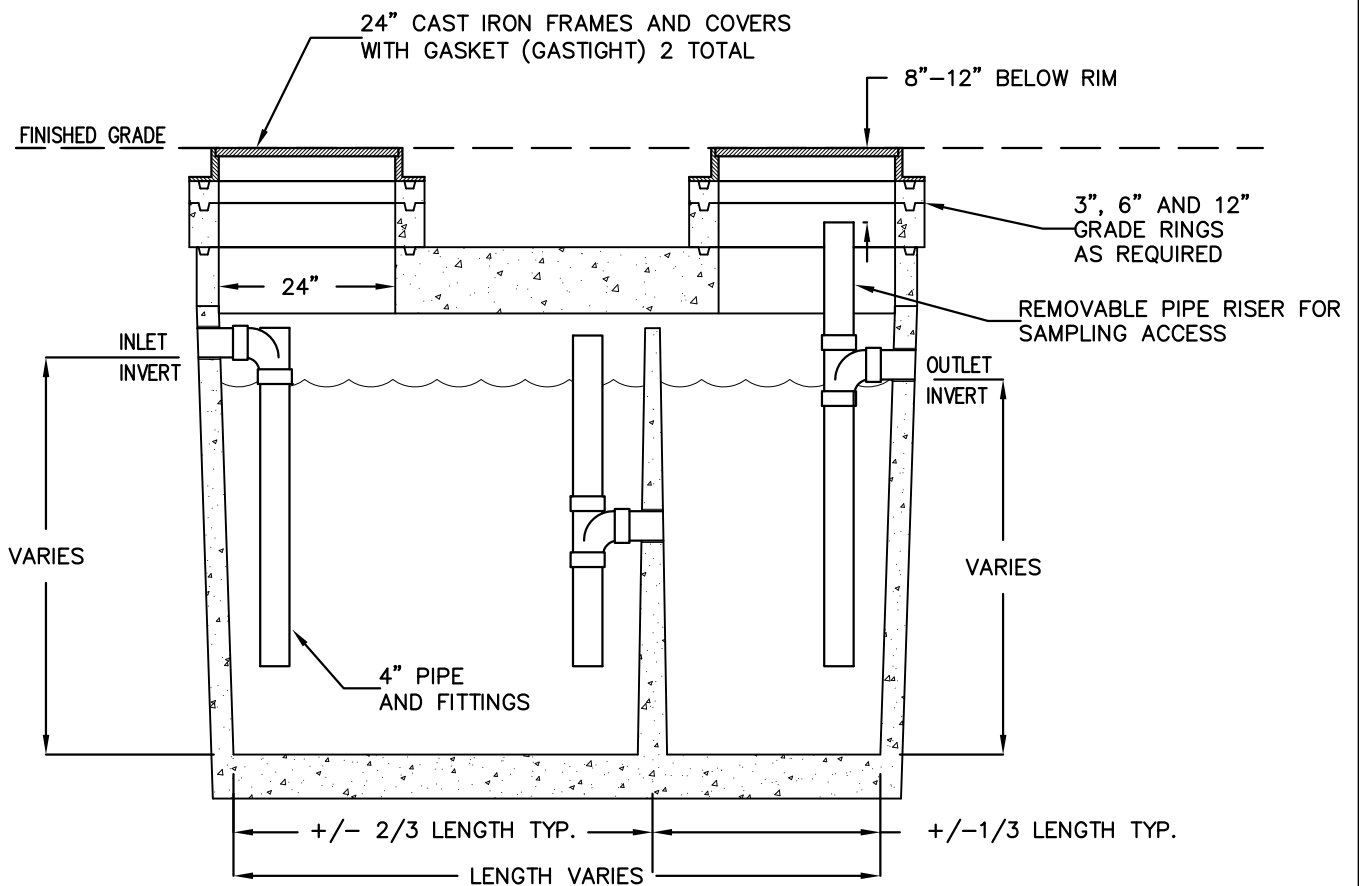
- A. See Detail A, B, and C for standard details.

V. ACCEPTABLE PRODUCTS & MANUFACTURERS

- A. Gravity Grease Interceptors:
 - Jensen Precast
 - Teichert Precast
 - P&L Concrete Products or approved equal.
- B. Hydromechanical Grease Interceptors:
 - Zurn Z1170
 - Zurn Z1172
 - Rockford G Series
 - Rockford GPS Series
 - Camplas Endura or approved equal.
- C. Oil Liquid Interceptors:
 - Oldcastle Precast or approved equal.



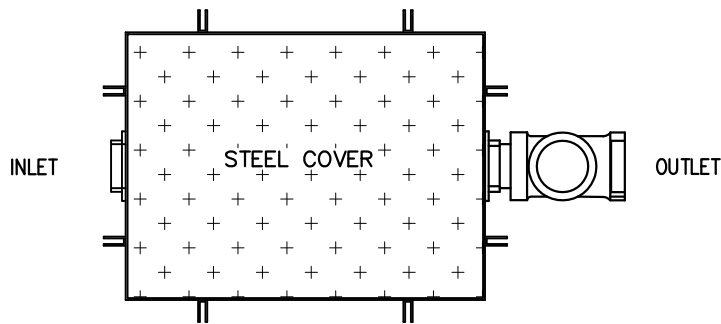
TOP VIEW



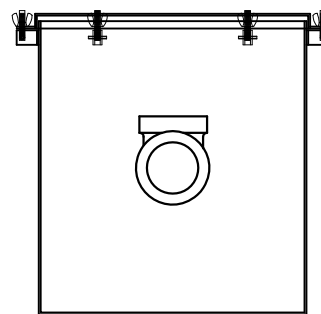
SIDE SECTION VIEW

NOTES

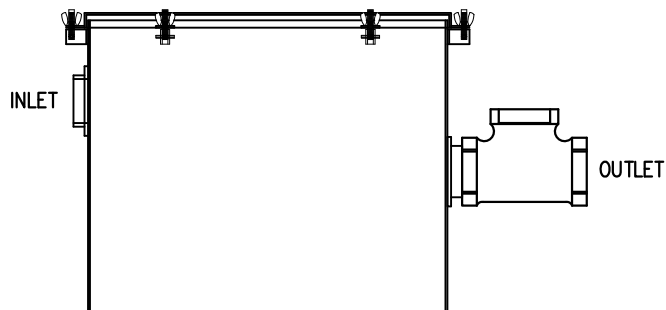
- A. LID SHALL BE DESIGNED FOR TRAFFIC LOADING.
- B. INTERCEPTOR SHALL BE LOCATED OUTSIDE OF KITCHEN IN AN AREA AFFORDING EASE OF MAINTENANCE AND SERVICING.
- C. AT THE REQUEST OF THE DISTRICT ENGINEER, A SAMPLING VAULT MAYBE REQUIRED ON THE DISCHARGE SIDE OF THE INTERCEPTOR.
- D. NO TOILETS, URINALS, AND OTHER SIMILAR FIXTURES SHALL DRAIN THROUGH THE INTERCEPTOR.
- E. DISHWASHERS AND FOOD DISPOSAL UNITS SHALL NOT DRAIN THROUGH THE INTERCEPTOR WITHOUT PRIOR APPROVAL FROM THE DISTRICT ENGINEER.
- F. SIZE THE INTERCEPTOR PER TABLE 10-3 OF 2007 CA. PLUMBING CODE OR MOST RECENT EDITION.
- G. INTERCEPTOR SHALL BE LISTED BY IAMPO PS 80-2003b AND CERTIFIED BY PDI G-101-85.
- H. GRAVITY INTERCEPTORS SHALL BE MANUFACTURED BY JENSEN PRECAST, TEICHERT PRECAST, P&L CONCRETE PRODUCTS, OR APPROVED EQUAL.



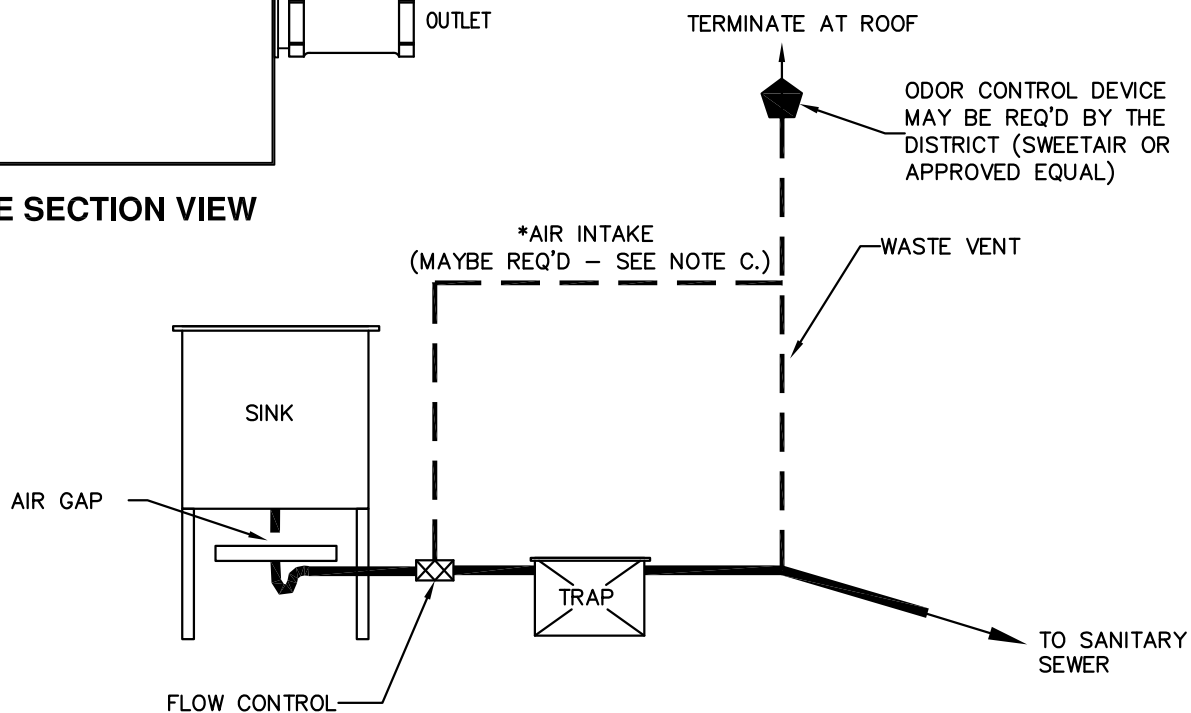
TOP VIEW



DISCHARGE END VIEW



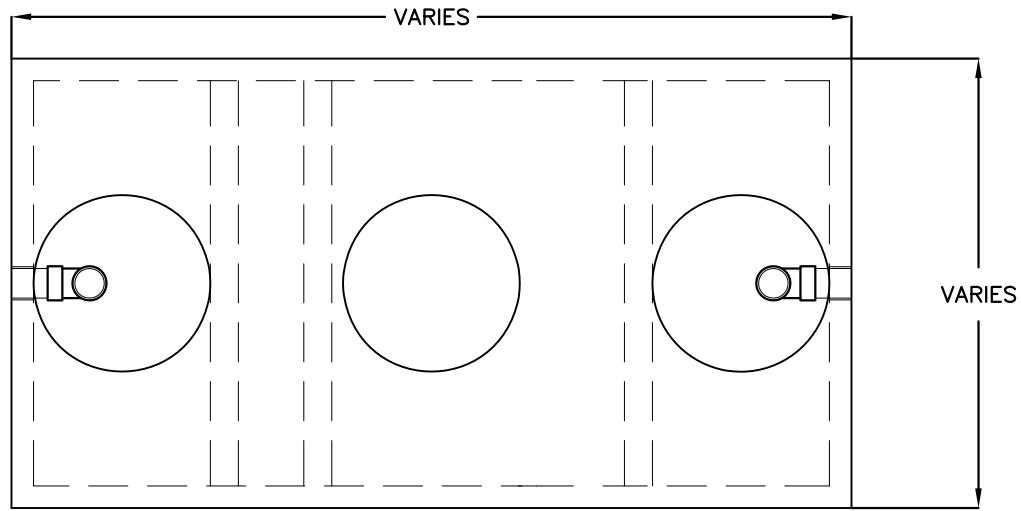
SIDE SECTION VIEW



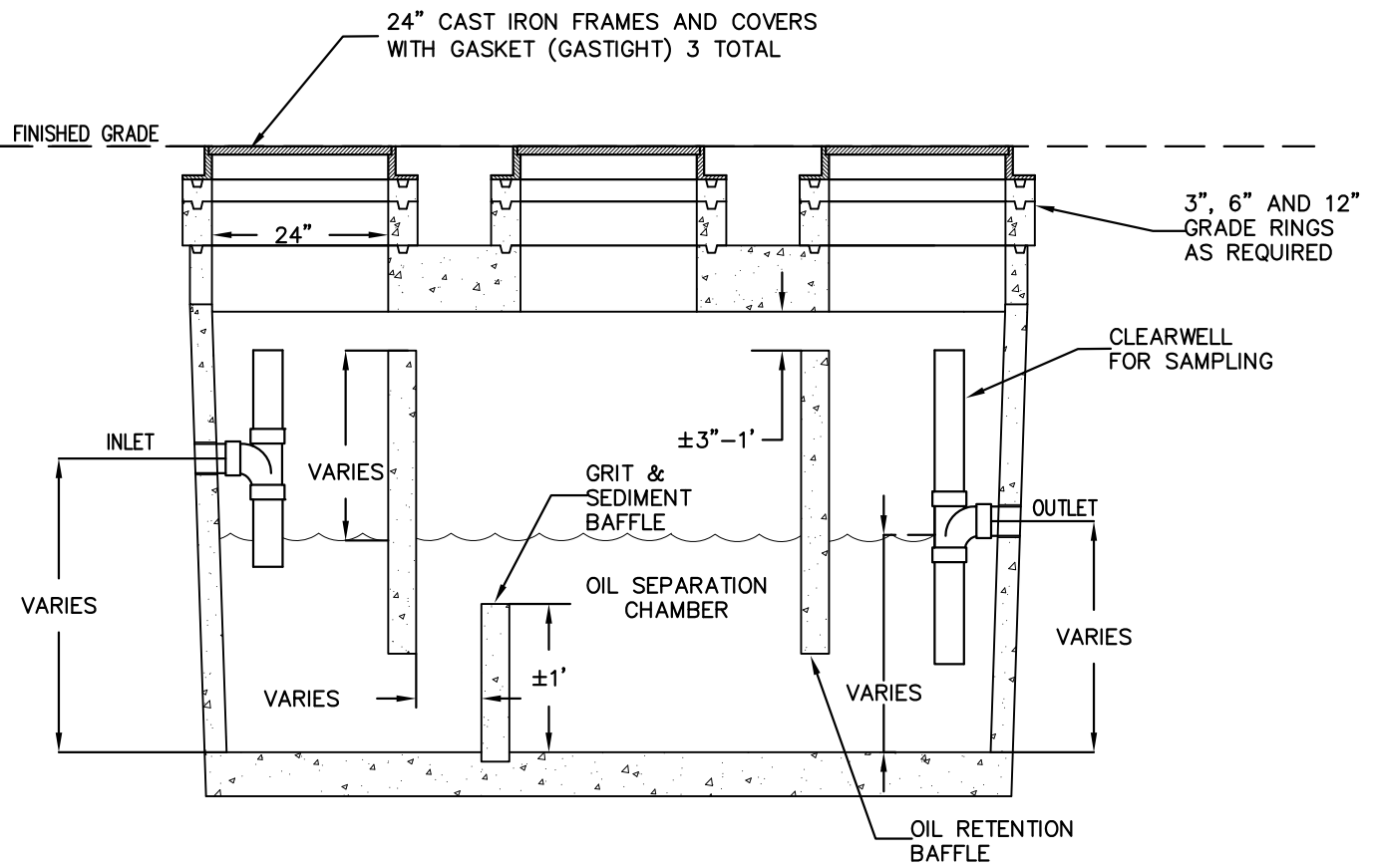
TYPICAL LAYOUT

NOTES

- A. INSTALL HYDROMECHANICAL GREASE INTERCEPTORS AS CLOSE AS PRACTICAL TO FIXTURES BEING SERVED.
- B. INTERCEPTOR COVER SHALL BE RATED TO WITHSTAND ANTICIPATED LOADING.
- C. AN APPROVED FLOW CONTROL DEVICE SHALL BE INSTALLED UPSTREAM OF INTERCEPTOR INLET. AN AIR VENT ON THE FLOW CONTROL SHALL BE INSTALLED IF REQ'D BY THE INTERCEPTOR MANUFACTURER WITH PRIOR APPROVAL BY THE COUNTY BLDG. DEPARTMENT. AIR VENT REQUIREMENTS ARE DEPENDENT UPON THE PLUMBING CODE DEFINITION OF "TRAP ARM LENGTH". THIS INTERPRETATION SHALL BE PROVIDED BY COUNTY BLDG. DEPT.
- D. THE WASTE LINE MUST BE VENTED IN COMPLIANCE WITH THE CA. PLUMBING CODE 2007 OR MOST RECENT EDITION.
- E. NO TOILETS, URINALS, AND OTHER SIMILAR FIXTURES SHALL DRAIN THROUGH THE INTERCEPTOR. DISHWASHERS AND FOOD DISPOSAL UNITS SHALL NOT DRAIN THROUGH THE INTERCEPTOR WITHOUT PRIOR APPROVAL FROM THE DISTRICT ENGINEER.
SIZE THE INTERCEPTOR PER TABLE 10-2 OF 2007 CA. PLUMBING CODE OR MOST RECENT EDITION.
- F. MINIMUM INTERCEPTOR SIZE: 20 GPM INTERMITTENT FLOW RATE AND 40 LBS GREASE RETENTION CAPACITY.
- G. CAUTION: SINK OUTPUT SHALL NOT EXCEED FLOW CONTROL RATING AND FLOW CONTROL RATING SHALL NOT EXCEED INTERCEPTOR RATING.
- H. INTERCEPTOR SHALL BE LISTED BY IAMPO PS 80-2003b AND CERTIFIED BY PDI G-101-85.
HYRDOMECHANICAL INTERCEPTORS SHALL BE ZURN Z1170, Z1172, OR ROCKFORD G SERIES, GPS SERIES, CAMPLAS ENDURA, OR APPROVED EQUAL.



TOP VIEW



SIDE SECTION VIEW

NOTES

- A. LID SHALL BE DESIGNED FOR TRAFFIC LOADING.
- B. INTERCEPTOR SHALL BE LOCATED BETWEEN FLOOR DRAINS AND SANITARY SEWER.
- C. SIZE INTERCEPTOR PER SEC.1017 OF 2007 CA. PLUMBING CODE OR MOST RECENT EDITION. MIN SIZE: 300 GAL.
- D. INTERCEPTOR SHALL BE CERTIFIED BY AMERICAN PETROLEUM INSTITUTE (API).
- E. COALESCING PLATES SHALL NOT BE USED WITHOUT PRIOR APPROVAL OF THE DISTRICT ENGINEER.
- F. DEGREASERS, ANTIFREEZE, EMULSIFIERS, FUELS, AND SOLVENTS SHALL NOT BE DISCHARGED TO THE INTERCEPTOR.
- G. INTERCEPTORS SHALL BE MANUFACTURED BY OLDCASTLE PRECAST OR APPROVED EQUAL.